

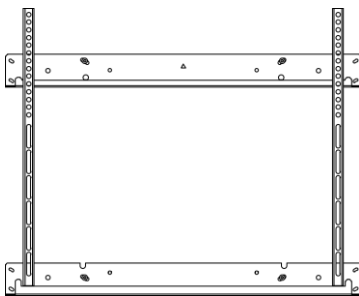
The Universal Vesa Bracket is an interface bracket to mount a flat screen onto the BalanceBox®400, the BalanceBox®650, the mobile stand of the BalanceBox®400, the floor support of the BalanceBox®400 or the floor support of the BalanceBox®650.

The bracket supports flat screens with VESA from 200x200 up to VESA 800x600 with a maximum load of 180 kg / 396 Lbs.

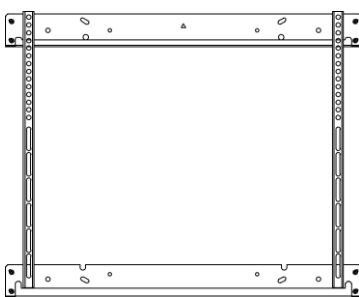
It is made from structural steel with a RAL9005 black powder coating finish.

Hardware included:

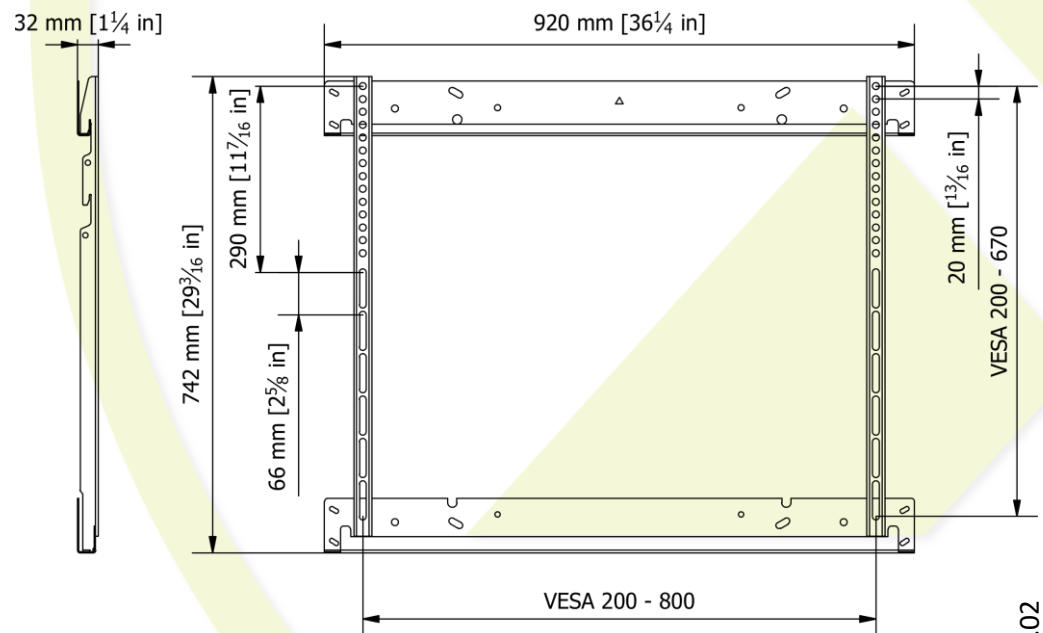
- M6, M8, M10 in lengths of 12 and 40 mm.
- 25 mm / 1" spacers



Configuration when mounted on BalanceBox®400 and mobile stand BalanceBox®400



Configuration when mounted on BalanceBox®650 and floor supports



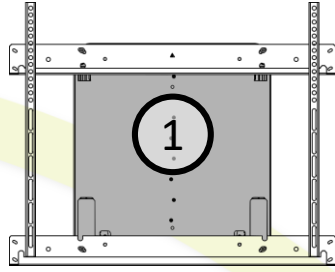
Rev.02

Universal VESA Bracket

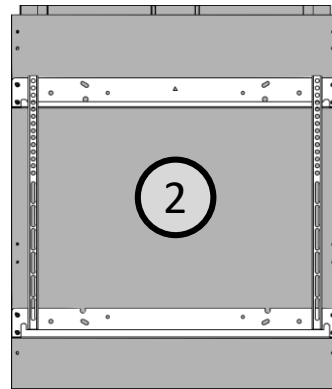
For the BalanceBox®400, BalanceBox®650 and accessories

Product datasheet

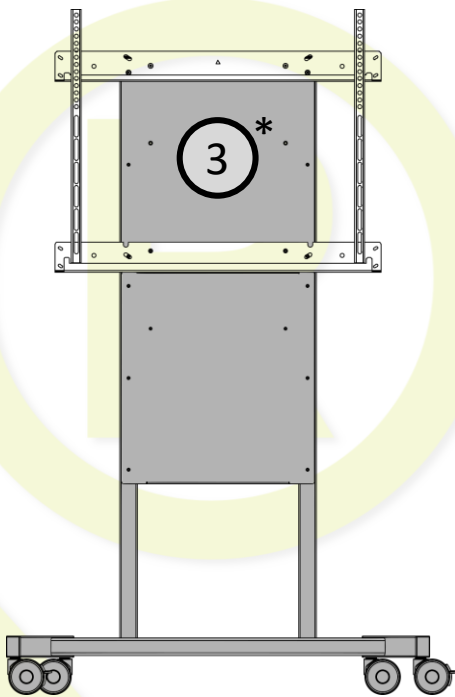
Possible mounting options:



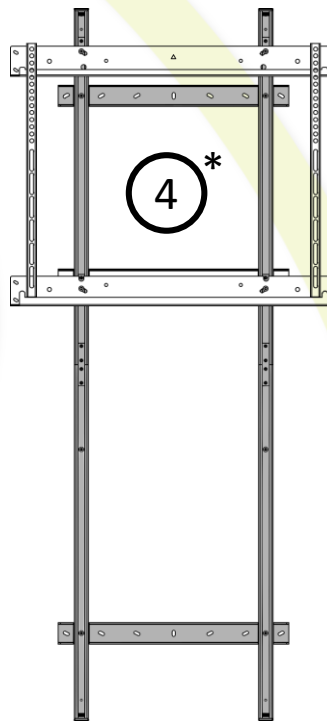
Mounted on BalanceBox®400
(480A1x)



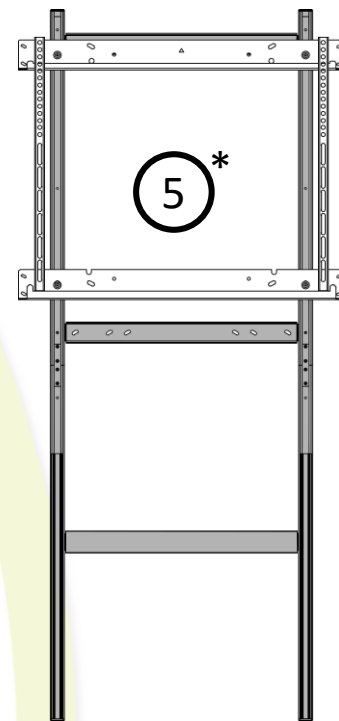
Mounted on BalanceBox®650
(484A0x)



Mounted on
Mobile stand of the
BalanceBox®400
(481A31, 481A47)



Mounted on
Floor support of the
BalanceBox®400
(481A42)



Mounted on
Floor support of the
BalanceBox®650
(481A13)

* Mounted without BalanceBox®

Product specifications	Metric		US / Imperial		Shipping specifications			
	Value	Units	Value	Units	Value	Units	Value	Units
Length	920	mm	36 1/4	inch	940	mm	37	inch
Height	742	mm	29 3/16	inch	130	mm	5 1/8	inch
Depth	32	mm	1 1/4	inch	65	mm	2 1/2	inch
Weight	5,2	kg	11.44	Lbs	5,6	kg	12.3	Lbs
Max. load capacity	180	kg	396	Lbs				
Material	Steel							
Finish	Powder coated Black RAL9005							

Rev.02